

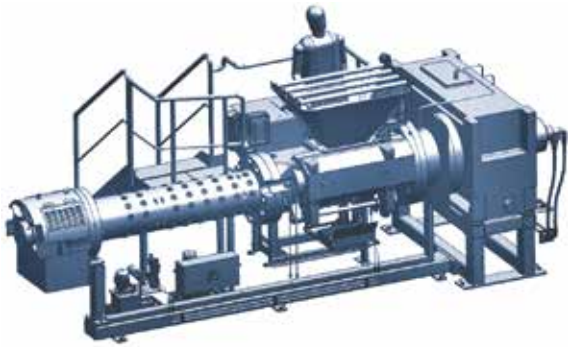
Single cold feed extruders

Based on decades of experience and the close cooperation with our customers we have developed a variety of single extruders for every need. From simplex extrusion of profiles to the feeding of mills and calanders, we help you pick the best combination from our portfolio.

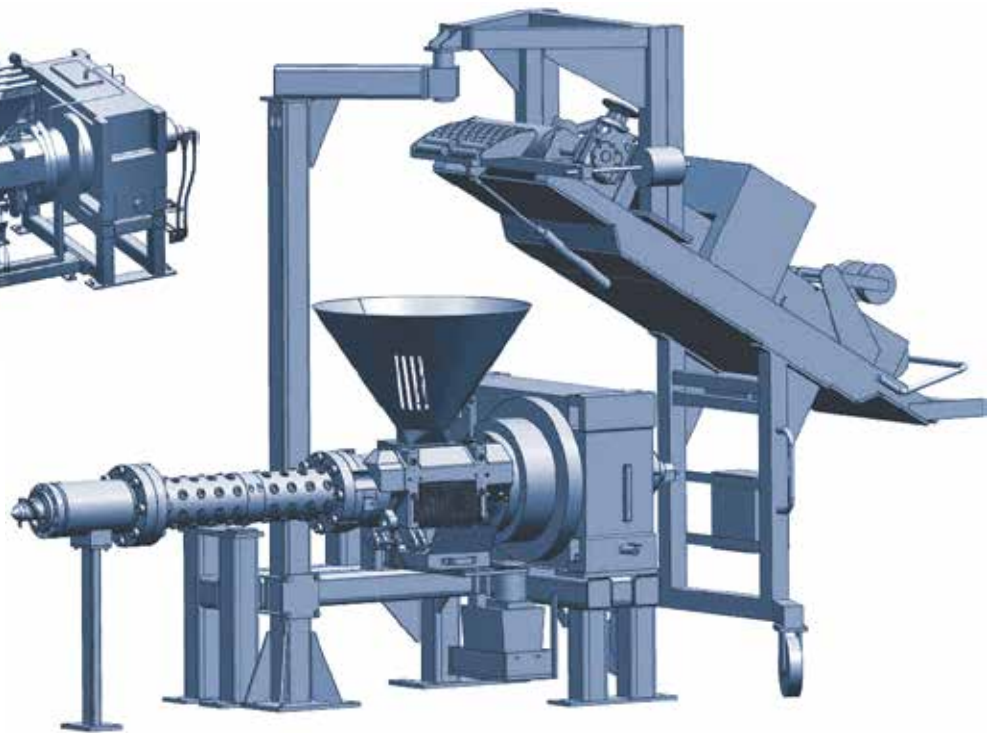
The extruder is driven by a variable speed AC motor either with forced air-cooling or with water cooling. The helical gear unit is equipped with an oil-cooling system with a flanged pump and a heat exchanger. The gear set and the thrust bearing are splash lubricated. **The drive gears for the feed roll are lubricated by an oil circulation system with pump and flow controller.** The bearings of the feed roll are life-time lubricated with grease.

The extrusion barrel consists of three parts. The barrel inlet has an exchangeable liner with a spiral undercut and a nitride hardened bore. The pin barrel and the extension barrel have an inner surface with hard facing alloy.

The screw is available with **stellited screw flight tips** or in a **nitrided version**. The screw is removable from the extruder barrel without having to dismantle or move the extrusion set.



Pork Chop extruder unit



Pork Chop extruder principle

Pork Chop technology is widely used when high output and excellent homogeneity are needed. The extruder serves to extrude and plastify the material for subsequent processing.

Cold rubber compounds are fed to the extruder by a slab feeder. The extruder heats and homogenizes the material and conveys the material into the Pork Chop head by means of a screw. **The knives inserted into the Pork Chop head shear off material lumps**, which are then further homogenized on a mill and fed into a hot feed extruder or calander.



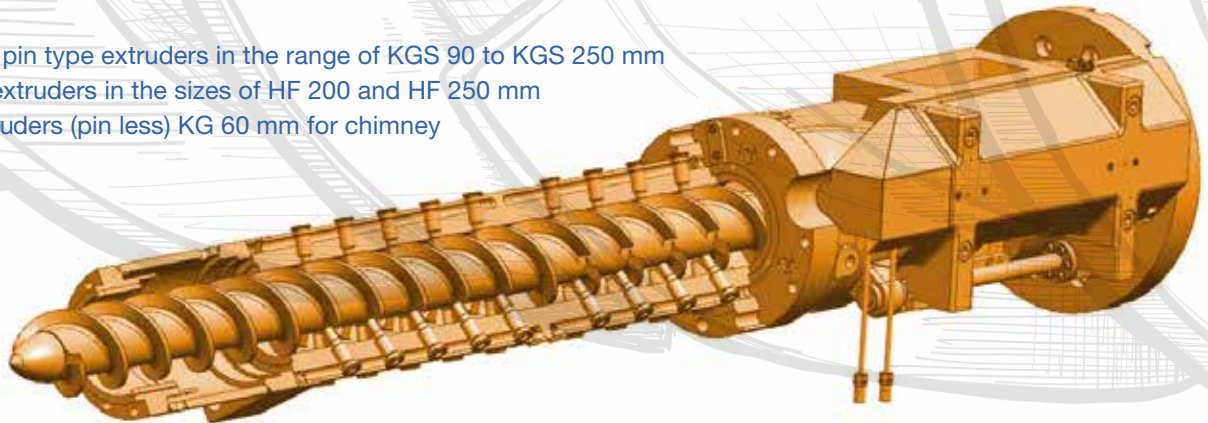
TireTech Group

*Performance. Passion. Partnership.
Innovative Engineering since 1855.*

Extruders

Our cold feed pin type extruders and our hot feed extruders are designed to cover the different profiles, component specifications and compound properties needed for the production of tire components. Our screws range from high output models to homogenization optimized designs and even low temperature processing types for delicate compounds.

- » Cold feed pin type extruders in the range of KGS 90 to KGS 250 mm
- » Hot feed extruders in the sizes of HF 200 and HF 250 mm
- » Micro extruders (pin less) KG 60 mm for chimney



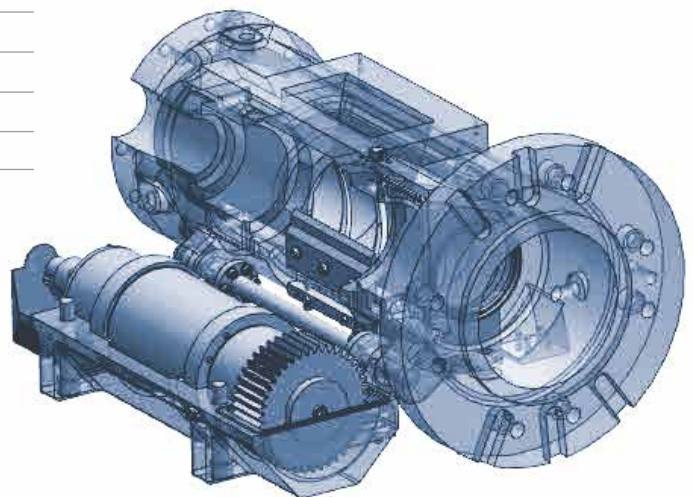
Whatever you require or have in mind – we have the right, reliable & efficient solution.

KGS extruder screw diameter***	Ratio (L/D)	Pins**	Output* kg/h	Max. speed rpm	Drive rating (approx.) kW
90	16	7 x 8	550	60	60
120	16	8 x 8	1000	55	110
150	16	9 x 8	2000	45	240
200	16	9 x 12	3400	35	320
250	16	10 x 12	5000	24	480

* depending on rubber compound, profile cross section and required output temperature

** pin rows x pins on the circumference

*** other length/diameter (L/D) ratios on request



Driven feed roll

Our driven feed roll bearings offer life-time lubrication. The gears are lubricated by an oil circulation system, complete with pump and flow controller. Retainer rings are exchangeable, which is made simple by the easy disassembly of the feed roll system.