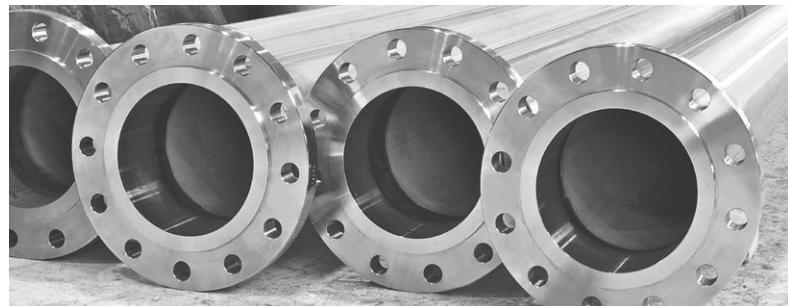
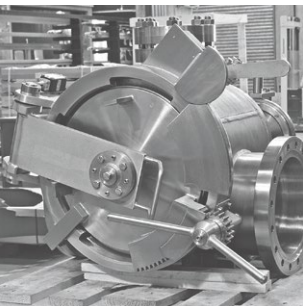
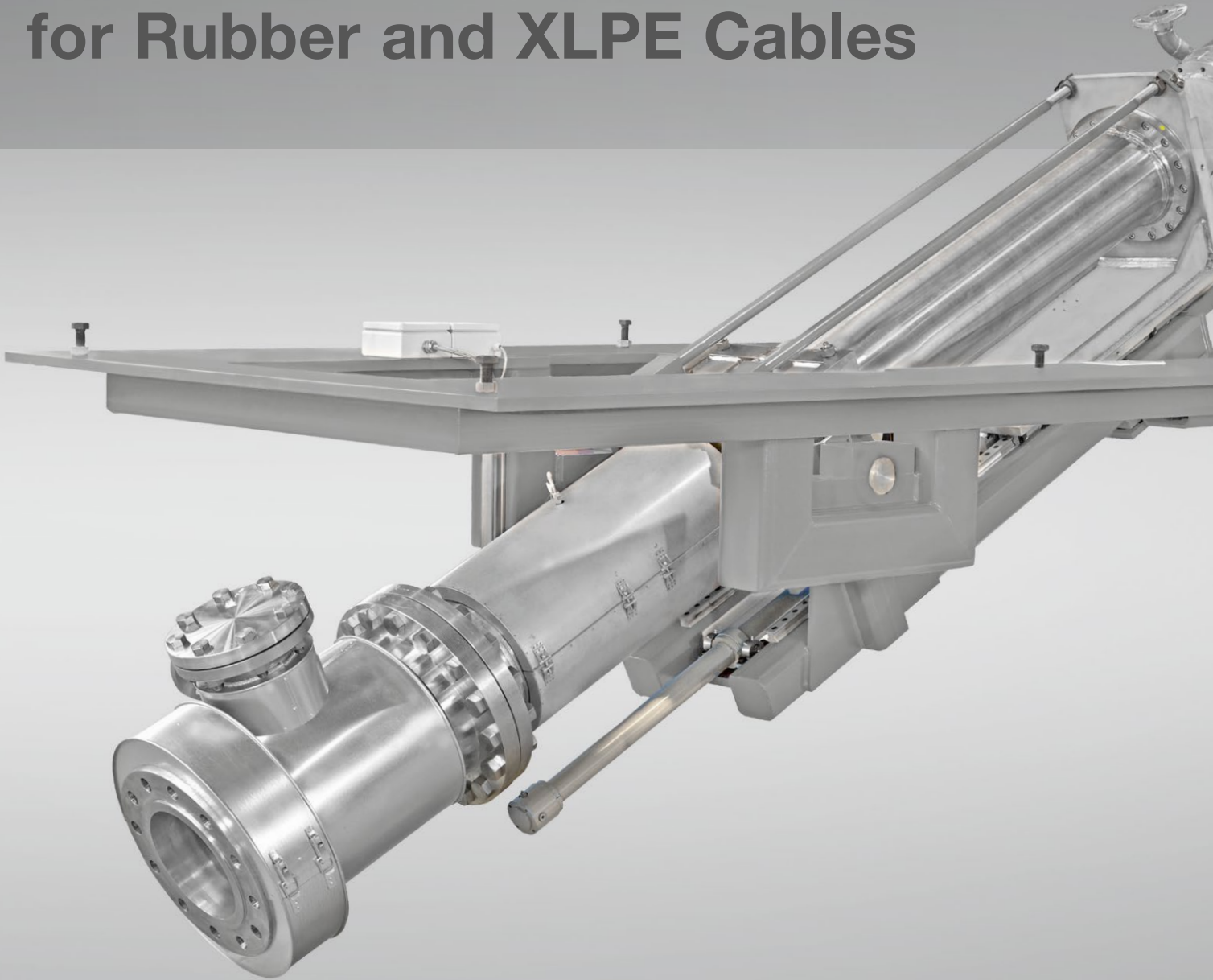


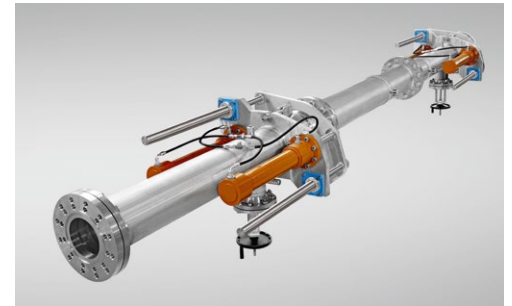
# Continuous Vulkanization Tubes for Rubber and XLPE Cables



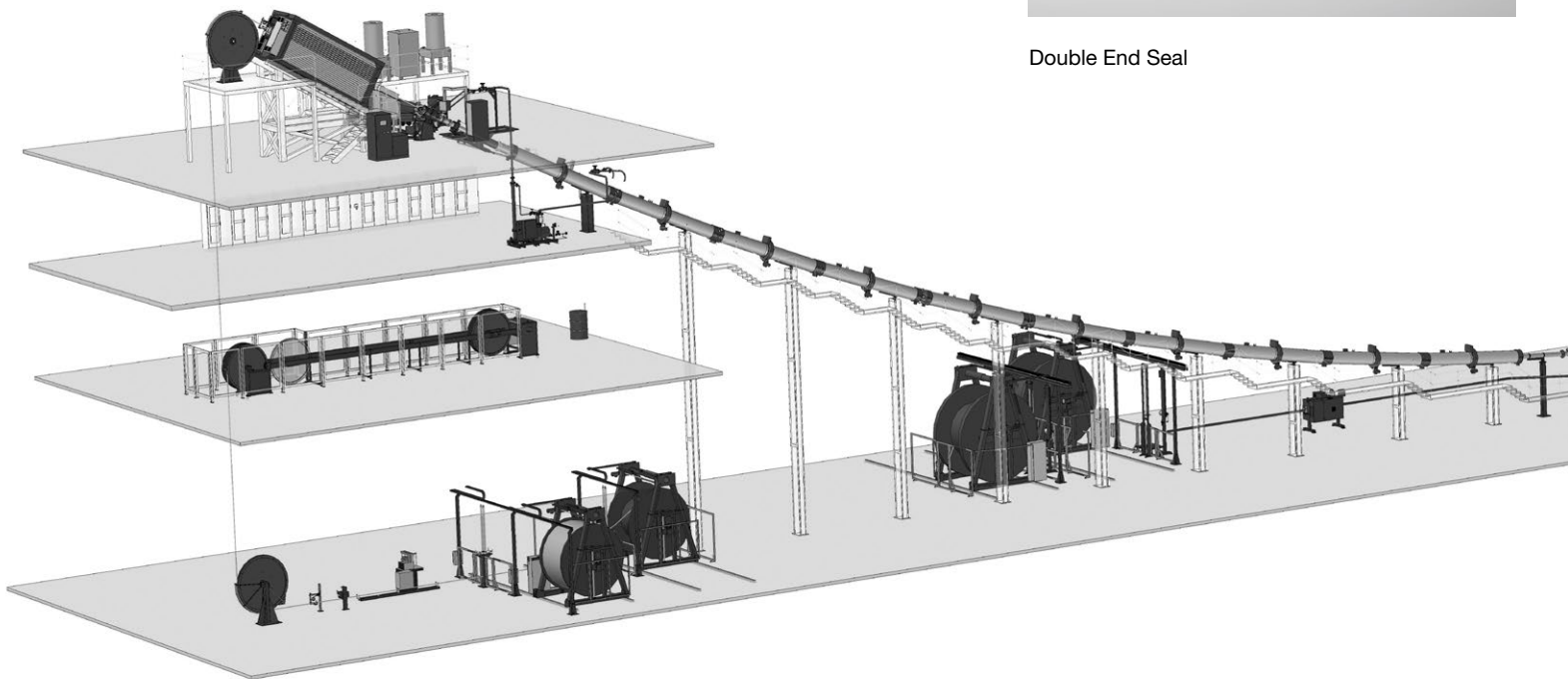
**TROESTER**

EXCELLENCE IN EXTRUSION.

# Continuous Vulcanization Tubes for Rubber and XLPE Cables



Double End Seal



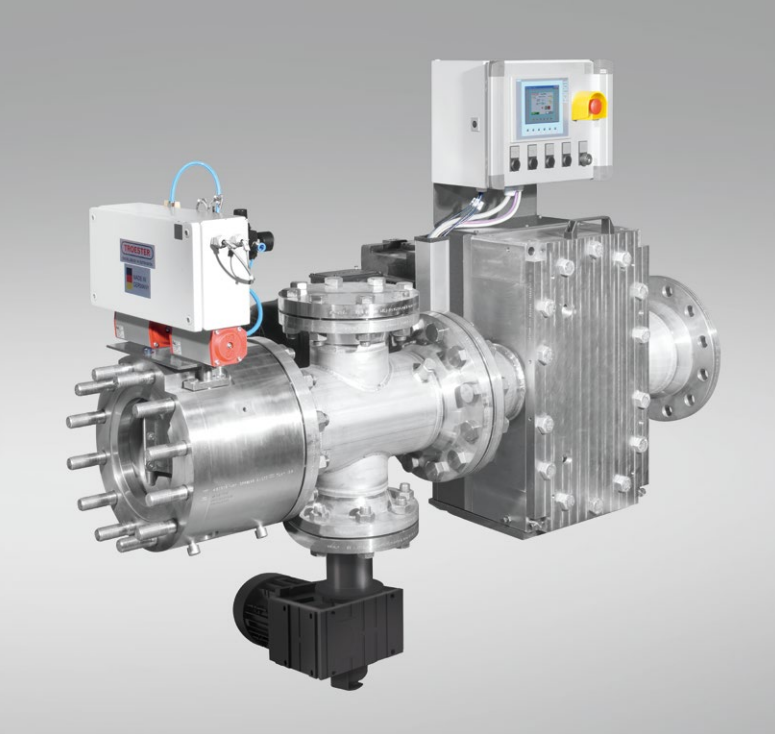
**As a turnkey supplier of complete CV lines, TROESTER is manufacturing vulcanization tubes for rubber cables and XLPE cables.**

Equipment is available for all CV processes: Nitrogen curing and nitrogen or water cooling for cross-linking XLPE cables or steam curing and water cooling for vulcanizing rubber cables. Combined lines for rubber and XLPE cables with both, nitrogen and steam curing are also available. Depending on the kind of line, TROESTER is supplying the tubes either as Horizontal Line (CV), as Catenary Line (CCV) or as Vertical Line (VCV). The delivery scope of TROESTER comprises the following CV tubes and components:

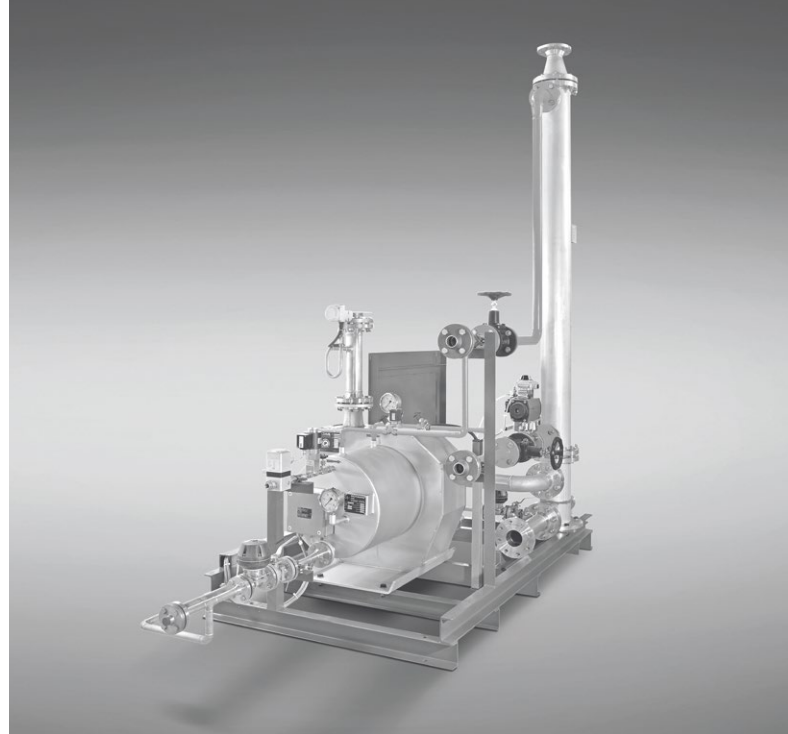
- > Splice Boxes, hydraulically operated
- > Curing Tubes, catenary or vertical type with insulated heating zones
- > Transition Tubes with or without by-product collection system
- > Cooling Tubes

- > Water/Gas Cooling Circuits, open or closed system
- > TROSS Roundness Stabilisation Systems
- > Online Stress Reduction Systems
- > By-Product Filtering Systems, electrostatic or conventional
- > Single or Double End Seals, hydraulically operated
- > Variable Endseal TRENDSEAL
- > Water/Gas Collecting Bins
- > Lead Wire Seals
- > TRISAG Sag Measuring Systems
- > Electrical Equipment
- > Turn Around Pressure Vessels
- > Embossing units

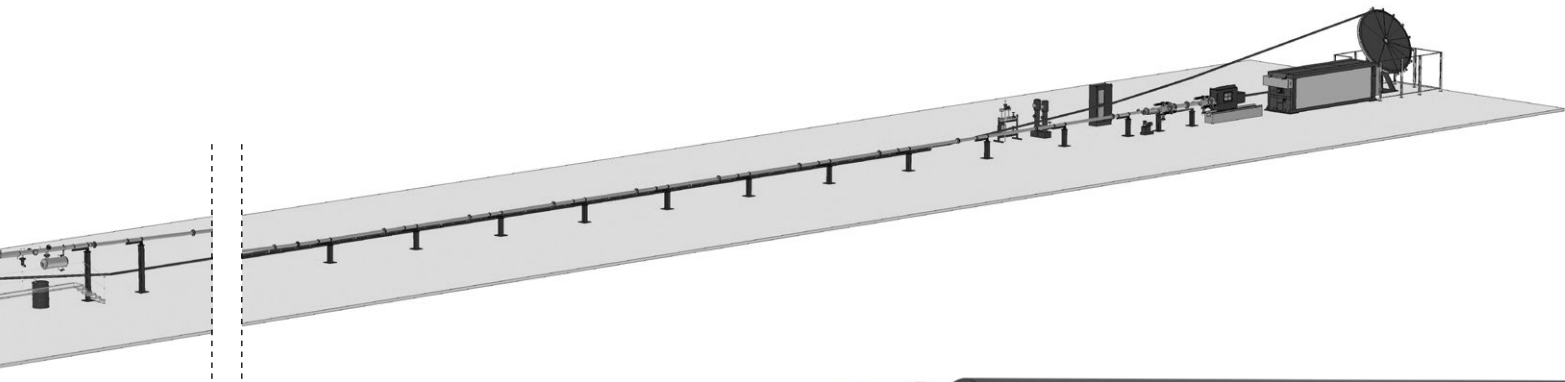
Systems like the TROESTER Roundness Stabilisation System TROSS, Online Stress Reduction System, Double End Seal and/or TRENDSEAL provide optimized conditions to manufacture high voltage cable with excellent tolerances.



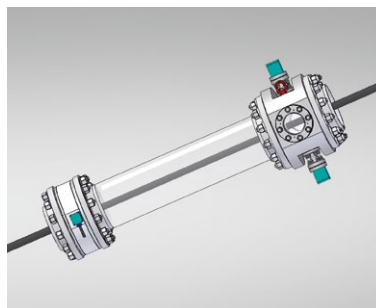
Variable Endseal TRENDSEAL



TROSS



Splice Box



TRISAG



Cooling Tube



Water Collecting Bin with Lead Wire Seal



Turn Around Pressure Vessel

All pressure parts are implemented in conformity with Pressure Equipment Directive 97/23/EG, dated May 29th, 2007. The design and construction is made according to Construction Code AD 2000. ASME and Chinese standards are available as well.

All equipment is available in sizes DN 80, DN 100, DN 150, DN 200, DN 250 and DN 300.

For CV lines Turn Around Pressure Vessels, Pressure Rings and Pressure Rings with Quick Opening are available in sizes from 1000 mm up to 4000 mm diameter.

**CCV Tubes**

Tube Sizes (catenary/straight)	DN	100/80	150/100	200/150	250/200	300/250
max. Cable Diameter	mm	45	70	100	135	160

**VCV Tubes**

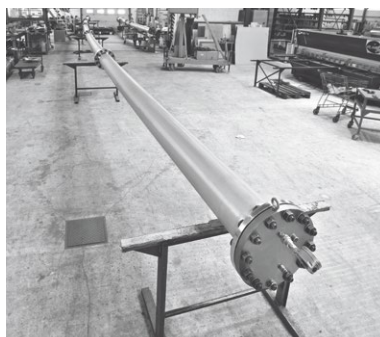
Tube Sizes	DN	200/200	250/250
max. Cable Diameter	mm	120	160

**CV Tubes Rubber/Combined Lines**

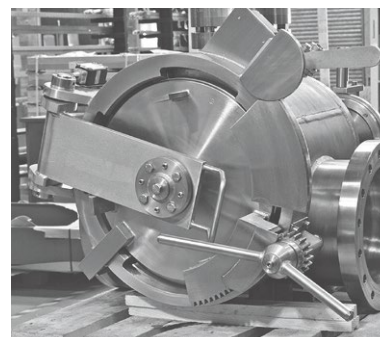
Tube Sizes (catenary/straight)	DN	80/80	100/80	150/100	200/150	250/200
max. Cable Diameter	mm	32	45	70	100	135



Heating Tube



Cooling Tube



Embossing Unit



EXCELLENCE IN EXTRUSION.

**TROESTER GmbH & Co. KG**  
 Am Brabrinke 1-4  
 30519 Hannover, GERMANY  
 Phone +49-511-87040  
 Fax +49-511-864028  
 E-mail [innovations@troester.de](mailto:innovations@troester.de)  
[www.troester.de](http://www.troester.de)

**TROESTER North & Central America**  
 Cable and Compounding Machinery  
 875 Elm Street, Apt 215  
 Manchester, NH 03101, USA  
 Phone +1-603-218-3084  
 Cell +1-603-867-3105  
 E-mail [eugenio.urbina@troester-group.com](mailto:eugenio.urbina@troester-group.com)

**TROESTER Machinery (Shanghai) Co., Ltd.**  
 Workshop No. 1, Area C  
 No. 6999 Chuan'sha Road, Pudong  
 Shanghai 201202, PR CHINA  
 Phone +86-21-58598308  
 Fax +86-21-58598310  
 E-mail [info@troester.cn](mailto:info@troester.cn)  
[www.troester.cn](http://www.troester.cn)

**TROESTER Moscow**  
 Representation Office  
 2nd Sinichkina St. 9A, Bldg 3  
 Moscow, 111020, RUSSIA  
 Phone +79169280672  
 E-mail [alexey.soloshenko@troester-group.com](mailto:alexey.soloshenko@troester-group.com)

**X-Compound GmbH**  
 Hardmatt 932  
 CH -5082 Kaisten, Switzerland  
 Phone +41-62-869 10 30  
 Fax +41-62-874 32 08  
 E-mail [info@x-compound.com](mailto:info@x-compound.com)  
[www.x-compound.com](http://www.x-compound.com)